

ZONE 3/21
TM5
GREAT MINSTER HOUSE
76 MARSHAM STREET
LONDON
SW1P 4DR

Mr M Dicks
Astucia UK Ltd
6 Talisman Business Centre
Talisman Road
Bicester
Oxfordshire OX26 6HR

DEPARTMENT FOR TRANSPORT

TELEPHONE: 020 7944 2987
FAX: 020 7944 2469
EMAIL brian.lyus@dft.gsi.gov.uk

OUR REF: RED 13/20/41
YOUR REF:

21 September 2006

Dear Mr Dicks

TYPE APPROVAL OF ASTUCIA FLUSH STUD SFS Mk I

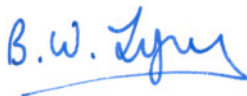
I am pleased to inform you that for the purposes of direction 57 of the Traffic Signs General Directions 2002, the Secretary of State has approved the above stud. A copy of the certificate is enclosed.

The approval is granted on the strict understanding that the manufacturer/supplier's fixing instructions will always be fully implemented, and that no material or design change will be made to the stud without further approval being sought and obtained from the Department. The approval requires the use of either Triflex Cryl R238 or Probit polymer modified road stud adhesive (tropical grade), and no other.

This stud was trialled under the DfT reference RED 13/20/41/176 and manufacturer's drawing reference NPD 000120 issue A. The active light source continued to perform satisfactorily throughout the twelve month trial period.

This approval permits the Astucia SFS Mk I road stud incorporating reflectors and light sources coloured white, red, amber or green to be used on any public road in England. Notification of the Secretary of State's decision has been passed to the National Assembly for Wales, the Scottish Executive and the Department of Regional Development Northern Ireland. Approval for use on roads in those countries should be sought from the appropriate administration.

Yours sincerely



B W LYUS

Traffic Management Division

ROAD TRAFFIC REGULATION ACT 1984 - SECTIONS 64 AND 65

The Secretary of State for Transport, in exercise of his powers under Sections 64 and 65 of the Road Traffic Regulation Act 1984 and of all other enabling powers, in accordance with the requirements of direction 57(2)(b) of the Traffic Signs General Directions 2002 (SI 2002 No. 3113) having regard to direction 59 and notwithstanding the provisions of direction 58(2), hereby

- 1) approves the road stud specified below for use in conjunction with the road markings shown in diagrams 1004 to 1008.1, 1010, 1012.1 to 1013.4, 1025.3, 1025.4, 1035 and 1040 to 1042.1 in Schedule 6 to the Traffic Signs Regulations 2002 (SI 2002 No. 3113); and
- 2) directs that the adhesive used for fixing the road stud shall be either
 - (i) Triflex Cryl R238, Ral 9005 black; or
 - (ii) Probit polymer modified road stud adhesive, tropical grade.

SPECIFICATION

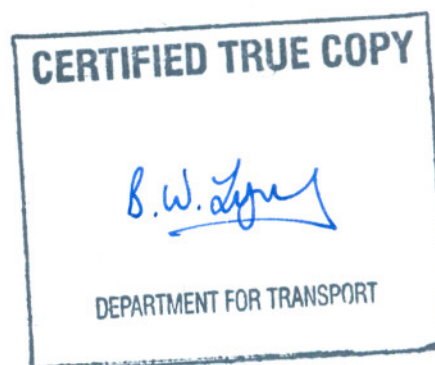
Product identification	Astucia SFS Mark I
Description	Retroreflective road stud with a LED incorporated into the reflector
LED manufacturer's identification numbers	White – NSPW511A (rank C) Red – TLRE181PA Amber – TLYE158PA Green – NSPE511A
LED to comply with the colorimetric requirements of	White – BS 1376 Class C Red – BS EN1463-1 Amber – BS EN 1463-1 Green – BS 1376 Class C
LED flash rate	100 Hz
Categories of road	All roads
To be of the size and type shown on the drawing marked with the Department's number	RED 13/20/41/176

Dated: 21 September 2006

Signed by authority of the Secretary of State

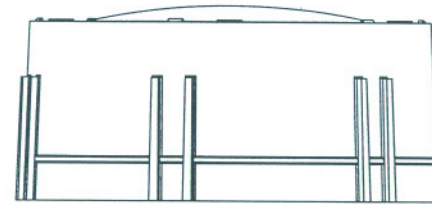
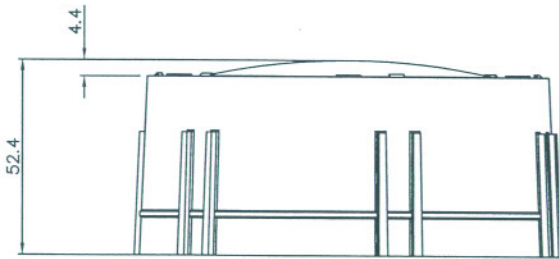
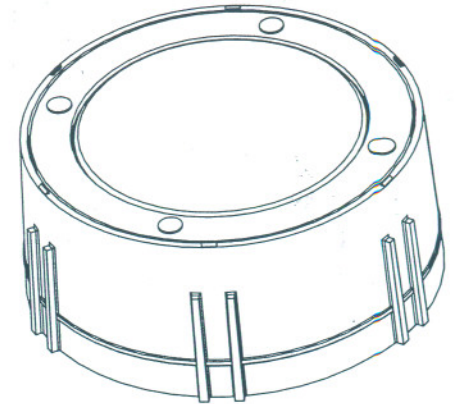
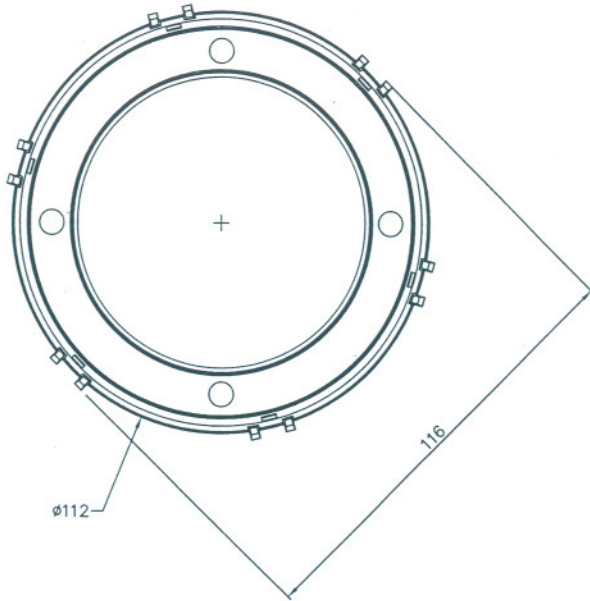
B.W. Lyons

A Grade 7 Official of the Department for Transport



3rd ANGLE PROJECTION

REF DOC.



CERTIFIED TRUE COPY
B.W. Lynn
 DEPARTMENT FOR TRANSPORT

Department for Transport
 Date 12 April 2005
 No. RED 13/20/41/176

ISSUE	DATE	CRF No.	ISSUE	DATE	CRF No.	ISSUE	DATE	CRF No.
			A	12-APR-05	N/A			

MODIFICATION RECORDS

DES.APP.	MATERIAL	DIMS IN
	N/A	mm
CHECKED	FINISH	SCALE
		1:1
DRAWN	N/A	FIRST USED ON
L DOUG	TOLERANCES UNLESS OTHERWISE STATED DRAWING TO BS 8888	SFS MK1
	LINEAR ±0.2	
	ANGULAR ±1.0	

ASTUCIA
 KINGS HILL
 WEST MALLING
 KENT ME19 4AW
 www.astucia.co.uk

THE COPYRIGHT OF THIS DRAWING IS RESERVED TO ASTUCIA (UK) LTD. AND THE INFORMATION CONTAINED HEREIN IS CONFIDENTIAL. IT IS ISSUED ON THE CONDITION THAT IT IS NOT DISCLOSED TO A THIRD PARTY WITHOUT THE CONSENT IN WRITING OF ASTUCIA (UK) LTD.

DRAWING No.	ISSUE
NPD000120	A
TITLE	
SFS OUTLINE	
SHEET No	SHT SIZE
1	A2
No OF SHEETS	594x420
1	



100 MILLIMETRES FULL SIZE